

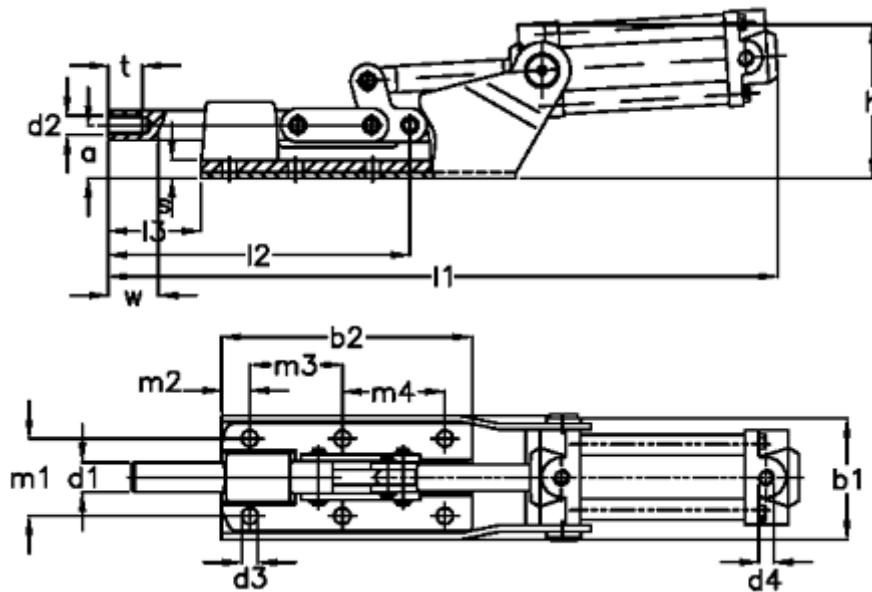
Data Sheet



Article number: 201373046

Description: E+G Klee pneumatically operated clamp
GN 890-70-SP3

Measures



a	= 14.0	h	= 52	m3	= 26.0
b1	= 42	Holding force N	= 1200	m4	= -
b2	= 64	Hose connector	= 4	s	= 8.5
Clamping force at 4 bar	= 700	l1	= 171	Size	= 70
d1	= 8.5	l2	= 78.5	t	= 12
d2	= M6	l3	= 22.0	W	= 12
d3	= 4.3	m1	= 26.0		
d4	= G 1/8	m2	= 13.5		